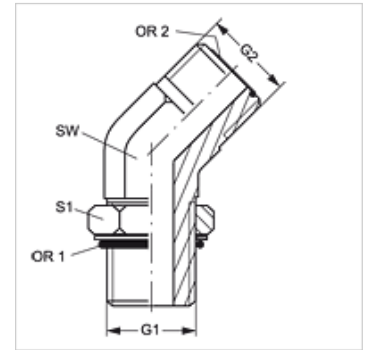


W45 O HJOF VA

Screw-in socket, angle 45°

Properties

Connection 1	UN/UNF external threads
Sealing form 1	O-ring seal on screw-in socket
Connection 2	ORFS external threads
Sealing form 2	flat seal with O-ring
Design	Adjustable direction screw-in socket
Construction	Angle 45°
Material	Stainless steel



Ordering information

Seals of NBR
FPM (Viton) on request

Item

Identification	G1	G2	AF (mm)	S1	OR1	OR2
W45 O 04 HJOF VA	7/16"-20 UNF	9/16"-18 UNF	14	16	8.92 x 1.83	7.65 x 1.78
W45 O 06 HJOF VA	9/16"-18 UNF	11/16" -16 UN	19	19	11.89 x 1.98	9.25 x 1.78
W45 O 08 HJOF VA	3/4"-16 UNF	13/16" -16 UN	19	24	16.36 x 2.21	12.42 x 1.78
W45 O 10 HJOF VA	7/8" -14 UNF	1" -14 UNS	27	27	19.18 x 2.46	15.60 x 1.78
W45 O 12 HJOF VA	1.1/16" -12 UN	1.3/16" -12 UN	30	35	23.47 x 2.95	18.77 x 1.78

SW, S1, S2 = With across flats

Product versions

W45 O HJOF Screw-in socket, angle 45°, Steel