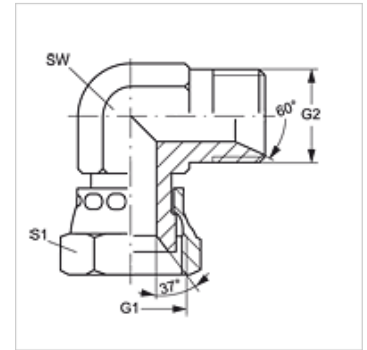


# W90 AJ HB

Connection socket, angle 90°

## Properties

<b>Connection 1</b>	UN/UNF nut threads
<b>Sealing form 1</b>	74° inner cone
<b>Connection 2</b>	BSP cylindrical external threads
<b>Sealing form 2</b>	60° inner cone
<b>Design</b>	Connection sockets
<b>Construction</b>	Angle 90°
<b>Material</b>	Steel
<b>Surface</b>	electro galvanised



## Item

Identification	G1	G2	AF (mm)	S1
<b>W90 AJ 04 HB</b>	7/16"-20 UNF	G 1/4" -19	17	17
<b>W90 AJ 06 HB</b>	9/16"-18 UNF	G 3/8" -19	19	14
<b>W90 AJ 08 HB</b>	3/4"-16 UNF	G 1/2" -14	22	19
<b>W90 AJ 10 HB</b>	7/8" -14 UNF	G 5/8" -14	27	22
<b>W90 AJ 12 HB</b>	1.1/16" -12 UN	G 3/4" -14	32	27

SW, S1, S2 = With across flats