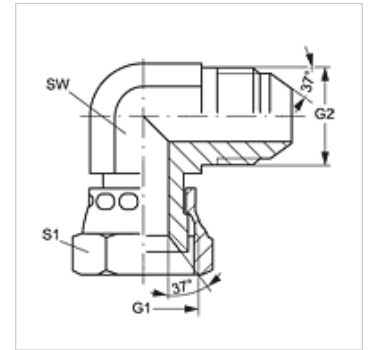


# W90 AJ HJ

Screw-on socket, angle 90°

## Properties

Connection 1	UN/UNF nut threads
Sealing form 1	74° inner cone
Connection 2	UN/UNF external threads
Sealing form 2	74° outer cone
Design	Screw-on socket
Construction	Angle 90°
Material	Steel
Surface	electro galvanised



## Item

Identification	G1 + G2	AF (mm)	S1
W90 AJ 04 HJ	7/16"-20 UNF	12	14
W90 AJ 05 HJ	1/2"-20 UNF	13	17
W90 AJ 06 HJ	9/16"-18 UNF	14	19
W90 AJ 08 HJ	3/4"-16 UNF	19	22
W90 AJ 10 HJ	7/8"-14 UNF	22	27
W90 AJ 12 HJ	1.1/16" -12 UN	27	32
W90 AJ 14 HJ	1.3/16" -12 UN	33	36
W90 AJ 16 HJ	1.5/16" -12 UN	33	41
W90 AJ 20 HJ	1.5/8" -12 UN	41	50
W90 AJ 24 HJ	1.7/8" -12 UN	48	60
W90 AJ 32 HJ	2.1/2" -12 UN	65	75

SW, S1, S2 = With across flats

## Product versions

W90 AJ HJ VA Screw-on socket, angle 90°, Stainless steel