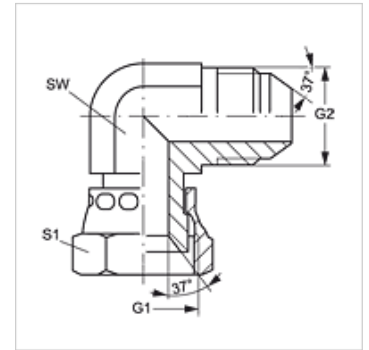


W90 AJ HJ VA

Screw-on socket, angle 90°

Properties

Connection 1	UN/UNF nut threads
Sealing form 1	74° inner cone
Connection 2	UN/UNF external threads
Sealing form 2	74° outer cone
Design	Screw-on socket
Construction	Angle 90°
Material	Stainless steel



Item

Identification	G1	G2	AF (mm)	S1
W90 AJ 04 HJ VA	7/16"-20 UNF	7/16"-20 UNF	11	16
W90 AJ 05 HJ VA	1/2"-20 UNF	1/2"-20 UNF	13	17
W90 AJ 06 HJ VA	9/16"-18 UNF	9/16"-18 UNF	14	19
W90 AJ 08 HJ VA	3/4"-16 UNF	3/4"-16 UNF	19	22
W90 AJ 10 HJ VA	7/8"-14 UNF	7/8"-14 UNF	22	27
W90 AJ 12 HJ VA	1.1/16" -12 UN	1.1/16" -12 UN	27	32
W90 AJ 16 HJ VA	1.5/16" -12 UN	1.5/16" -12 UN	33	38
W90 AJ 20 HJ VA	1.5/8" -12 UN	1.5/8" -12 UN	41	50
W90 AJ 24 HJ VA	1.7/8" -12 UN	1.7/8" -12 UN	48	55

SW, S1, S2 = With across flats

Product versions

W90 AJ HJ	Screw-on socket, angle 90°, Steel
-----------	-----------------------------------