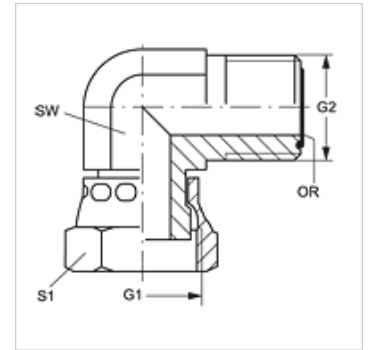


W90 AJF HJOF

Screw-on socket, angle 90°

Properties

Connection 1	ORFS nut threads
Sealing form 1	flat sealing
Connection 2	ORFS external threads
Sealing form 2	flat seal with O-ring
Design	Screw-on socket
Construction	Angle 90°
Material	Steel
Surface	electro galvanised



Item

Identification	G1 + G2	AF (mm)	S1	OR
W90 AJF 04 HJOF	9/16"-18 UNF	14	17	7.65 x 1.78
W90 AJF 06 HJOF	11/16" -16 UN	19	22	9.25 x 1.78
W90 AJF 08 HJOF	13/16" -16 UN	19	24	12.42 x 1.78
W90 AJF 10 HJOF	1" -14 UNS	27	30	15.60 x 1.78
W90 AJF 12 HJOF	1.3/16" -12 UN	30	36	18.77 x 1.78
W90 AJF 16 HJOF	1.7/16" -12 UN	36	41	23.52 x 1.78
W90 AJF 20 HJOF	1.11/16" -12 UN	41	50	29.87 x 1.78
W90 AJF 24 HJOF	2" -12 UN	48	60	37.82 x 1.78

SW, S1, S2 = With across flats

Product versions

W90 AJF HJOF VA Screw-on socket, angle 90°, Stainless steel