

W90 AJF HJOF VA

Screw-on socket, angle 90°

HANSA FLEX

Properties

Connection 1 ORFS nut threads

Sealing form 1 flat sealing

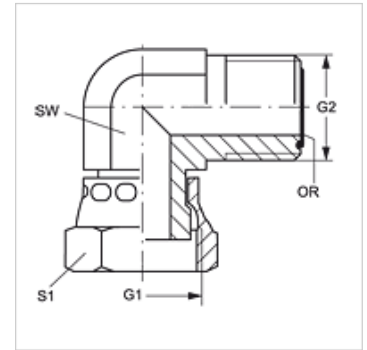
Connection 2 ORFS external threads

Sealing form 2 flat seal with O-ring

Design Screw-on socket

Construction Angle 90°

Material Stainless steel



Ordering information

Seals of NBR

FPM (Viton) on request

Item

Identification	G1	G2	AF (mm)	S1	OR
W90 AJF 04 HJOF VA	9/16"-18 UNF	9/16"-18 UNF	14	17	7.65 x 1.78
W90 AJF 06 HJOF VA	11/16" -16 UN	11/16" -16 UN	19	22	9.25 x 1.78
W90 AJF 08 HJOF VA	13/16" -16 UN	13/16" -16 UN	19	24	12.42 x 1.78
W90 AJF 10 HJOF VA	1" -14 UNS	1" -14 UNS	27	30	15.60 x 1.78
W90 AJF 12 HJOF VA	1.3/16" -12 UN	1.3/16" -12 UN	30	36	18.77 x 1.78
W90 AJF 16 HJOF VA	1.7/16" -12 UN	1.7/16" -12 UN	36	41	23.52 x 1.78

SW, S1, S2 = With across flats

Product versions

W90 AJF HJOF Screw-on socket, angle 90°, Steel