

# W90 AN IN

Connection socket, angle 90°

## Properties

**Connection 1** NPT nut thread (NPSM)

**Sealing form 1** 60° outer cone

**Connection 2** NPT internal thread

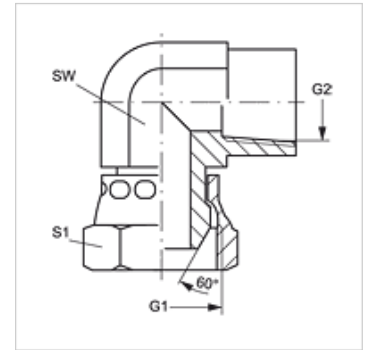
**Sealing form 2** thread seal

**Design** Connection sockets

**Construction** Angle 90°

**Material** Steel

**Surface** electro galvanised



## Item

Identification	G1 + G2	AF (mm)	S1
W90 AN 02 IN	1/8" -27 NPT	14	14
W90 AN 04 IN	1/4" -18 NPT	19	18
W90 AN 06 IN	3/8" -18 NPT	22	22
W90 AN 08 IN	1/2" -14 NPT	27	25
W90 AN 12 IN	3/4" -14 NPT	33	32
W90 AN 16 IN	1" -11.5 NPT	41	38
W90 AN 20 IN	1.1/4" -11.5 NPT	48	48
W90 AN 24 IN	1.1/2" -11.5 NPT	64	54

SW, S1, S2 = With across flats