

W90 HB HN

Screw-in socket, angle 90°

Properties

Connection 1 BSP external thread, cylindrical

Sealing form 1 60° inner cone

Connection 2 NPT external threads

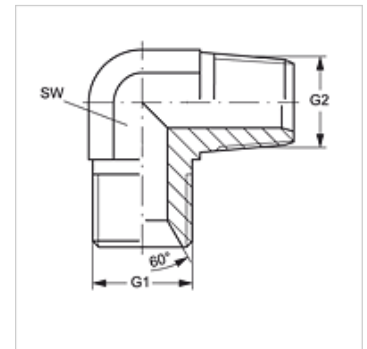
Sealing form 2 thread seal

Design Screw-in sockets

Construction Angle 90°

Material Steel

Surface electro galvanised



Item

Identification	G1	G2	AF (mm)
W90 HB 02 HN	G 1/8" -28	1/8" -27 NPT	11
W90 HB 04 HN 02	G 1/4" -19	1/8" -27 NPT	14
W90 HB 04 HN	G 1/4" -19	1/4" -18 NPT	14
W90 HB 06 HN 04	G 3/8" -19	1/4" -18 NPT	19
W90 HB 06 HN	G 3/8" -19	3/8" -18 NPT	19
W90 HB 06 HN 08	G 3/8" -19	1/2" -14 NPT	22
W90 HB 08 HN 06	G 1/2" -14	3/8" -18 NPT	22
W90 HB 08 HN	G 1/2" -14	1/2" -14 NPT	22
W90 HB 12 HN 08	G 3/4" -14	1/2" -14 NPT	27
W90 HB 12 HN	G 3/4" -14	3/4" -14 NPT	27
W90 HB 16 HN	G 1" -11	1" -11.5 NPT	33
W90 HB 20 HN	G 1.1/4" -11	1.1/4" -11.5 NPT	41
W90 HB 24 HN	G 1.1/2" -11	1.1/2" -11.5 NPT	50
W90 HB 32 HN	G 2" -11	2" -11.5 NPT	55

AF = Width across flats