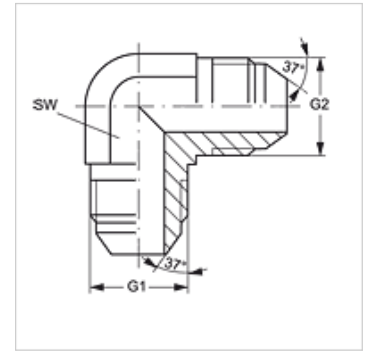


# W90 HJ

Fitting socket, angle 90°

## Properties

Connection 1	UN/UNF external threads
Sealing form 1	74° outer cone
Connection 2	UN/UNF external threads
Sealing form 2	74° outer cone
Design	Fitting socket
Construction	Angle 90°
Material	Steel
Surface	electro galvanised



## Item

Identification	G1 + G2	AF (mm)
W90 HJ 04	7/16"-20 UNF	11
W90 HJ 05	1/2"-20 UNF	13
W90 HJ 06	9/16"-18 UNF	14
W90 HJ 08	3/4"-16 UNF	19
W90 HJ 10	7/8"-14 UNF	22
W90 HJ 12	1.1/16" -12 UN	27
W90 HJ 14	1.3/16" -12 UN	30
W90 HJ 16	1.5/16" -12 UN	33
W90 HJ 20	1.5/8" -12 UN	41
W90 HJ 24	1.7/8" -12 UN	48
W90 HJ 32	2.1/2" -12 UN	64

AF = Width across flats

## Product versions

W90 HJ VA Fitting socket, angle 90°, Stainless steel