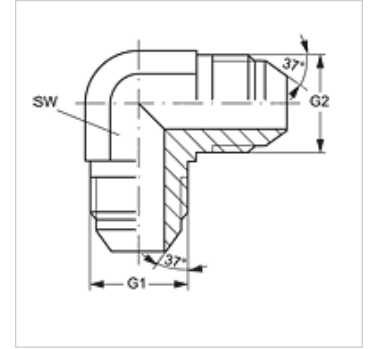


W90 HJ VA

Fitting socket, angle 90°

Properties

Connection 1	UN/UNF external threads
Sealing form 1	74° outer cone
Connection 2	UN/UNF external threads
Sealing form 2	74° outer cone
Design	Fitting socket
Construction	Angle 90°
Material	Stainless steel



Item

Identification	G1 + G2	AF (mm)
W90 HJ 04 VA	7/16"-20 UNF	11
W90 HJ 05 VA	1/2"-20 UNF	13
W90 HJ 06 VA	9/16"-18 UNF	14
W90 HJ 08 VA	3/4"-16 UNF	19
W90 HJ 10 VA	7/8"-14 UNF	22
W90 HJ 12 VA	1.1/16" -12 UN	27
W90 HJ 16 VA	1.5/16" -12 UN	33
W90 HJ 20 VA	1.5/8" -12 UN	41
W90 HJ 24 VA	1.7/8" -12 UN	48

AF = Width across flats

Product versions

W90 HJ Fitting socket, angle 90°, Steel