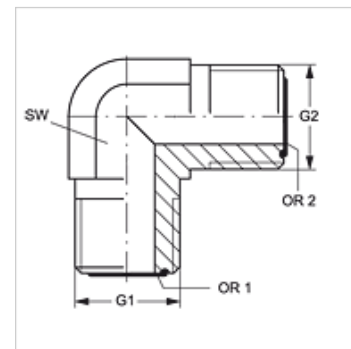


# W90 HJOF

## Fitting socket, angle 90°

### Properties

<b>Connection 1</b>	ORFS external threads
<b>Sealing form 1</b>	flat seal with O-ring
<b>Connection 2</b>	ORFS external threads
<b>Sealing form 2</b>	flat seal with O-ring
<b>Design</b>	Fitting socket
<b>Construction</b>	Angle 90°
<b>Material</b>	Steel
<b>Surface</b>	electro galvanised



### Item

Identification	G1	G2	AF (mm)	OR1	OR2
<b>W90 HJOF 04</b>	9/16"-18 UNF	9/16"-18 UNF	14	7.65 x 1.78	7.65 x 1.78
<b>W90 HJOF 04 HJOF 06</b>	9/16"-18 UNF	11/16" -16 UN	19	7.65 x 1.78	9.25 x 1.78
<b>W90 HJOF 06</b>	11/16" -16 UN	11/16" -16 UN	19	9.25 x 1.78	9.25 x 1.78
<b>W90 HJOF 06 HJOF 08</b>	11/16" -16 UN	13/16" -16 UN	19	9.25 x 1.78	12.42 x 1.78
<b>W90 HJOF 08</b>	13/16" -16 UN	13/16" -16 UN	19	12.42 x 1.78	12.42 x 1.78
<b>W90 HJOF 08 HJOF 12</b>	13/16" -16 UN	1.3/16" -12 UN	30	12.42 x 1.78	18.77 x 1.78
<b>W90 HJOF 10</b>	1" -14 UNS	1" -14 UNS	27	15.60 x 1.78	15.60 x 1.78
<b>W90 HJOF 12</b>	1.3/16" -12 UN	1.3/16" -12 UN	30	18.77 x 1.78	18.77 x 1.78
<b>W90 HJOF 16</b>	1.7/16" -12 UN	1.7/16" -12 UN	36	23.52 x 1.78	23.52 x 1.78
<b>W90 HJOF 20</b>	1.11/16" -12 UN	1.11/16" -12 UN	41	29.87 x 1.78	29.87 x 1.78
<b>W90 HJOF 24</b>	2" -12 UN	2" -12 UN	48	37.82 x 1.78	37.82 x 1.78
<b>W90 HJOF 32</b>	2.1/2" -12 UN	2.1/2" -12 UN	64	48.90 x 2.62	48.90 x 2.62

AF = Width across flats

### Product versions

**W90 HJOF VA** Fitting socket, angle 90°, Stainless steel