

W90 HJOF VA

Fitting socket, angle 90°

Properties

Connection 1 ORFS external threads

Sealing form 1 flat seal with O-ring

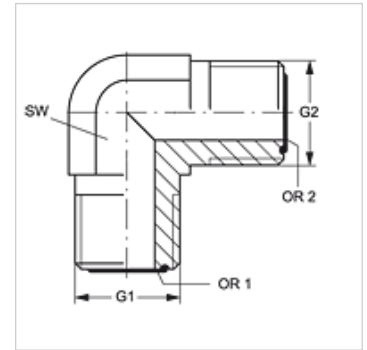
Connection 2 ORFS external threads

Sealing form 2 flat seal with O-ring

Design Fitting socket

Construction Angle 90°

Material Stainless steel



Ordering information

Seals of NBR

FPM (Viton) on request

Item

Identification	G1	G2	AF (mm)	OR1	OR2
W90 HJOF 04 VA	9/16"-18 UNF	9/16"-18 UNF	14	7.65 x 1.78	7.65 x 1.78
W90 HJOF 06 VA	11/16" -16 UN	11/16" -16 UN	19	9.25 x 1.78	9.25 x 1.78
W90 HJOF 08 VA	13/16" -16 UN	13/16" -16 UN	19	12.42 x 1.78	12.42 x 1.78
W90 HJOF 12 VA	1.3/16" -12 UN	1.3/16" -12 UN	30	18.77 x 1.78	18.77 x 1.78
W90 HJOF 16 VA	1.7/16" -12 UN	1.7/16" -12 UN	36	23.52 x 1.78	23.52 x 1.78
W90 HJOF 24 VA	2" -12 UN	2" -12 UN	48	37.82 x 1.78	37.82 x 1.78

AF = Width across flats

Product versions

W90 HJOF Fitting socket, angle 90°, Steel