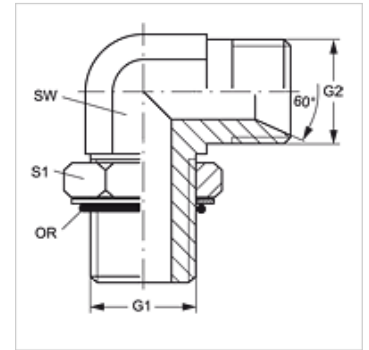


W90 HMO HB

Screw-in socket, angle 90°

Properties

Connection 1	metric cylindrical outer thread
Sealing form 1	O-ring seal on screw-in socket
Connection 2	BSP cylindrical external threads
Sealing form 2	60° inner cone
Design	Adjustable direction screw-in socket
Construction	Angle 90°
Material	Steel
Surface	electro galvanised



Item

Identification	G1	G2	AF (mm)	S1	OR
W90 HMO 10 HB 02	M 10 x 1	G 1/8" -28	11	14	8.00 x 1.50
W90 HMO 12 HB 02	M 12 x 1.5	G 1/8" -28	18	14	9.30 x 2.40
W90 HMO 12 HB 04	M 12 x 1.5	G 1/4" -19	14	17	9.30 x 2.40
W90 HMO 14 HB 04	M 14 x 1.5	G 1/4" -19	17	19	11.30 x 2.40
W90 HMO 14 HB 06	M 14 x 1.5	G 3/8" -19	24	19	11.30 x 2.40
W90 HMO 16 HB 04	M 16 x 1.5	G 1/4" -19	17	20	13.30 x 2.40
W90 HMO 16 HB 06	M 16 x 1.5	G 3/8" -19	17	20	13.30 x 2.40
W90 HMO 18 HB 06	M 18 x 1.5	G 3/8" -19	19	24	15.30 x 2.40
W90 HMO 18 HB 08	M 18 x 1.5	G 1/2" -14	19	24	15.30 x 2.40
W90 HMO 20 HB 08	M 20 x 1.5	G 1/2" -14	19	27	17.30 x 2.40
W90 HMO 22 HB 08	M 22 x 1.5	G 1/2" -14	19	27	19.30 x 2.40
W90 HMO 22 HB 12	M 22 x 1.5	G 3/4" -14	27	27	19.30 x 2.40
W90 HMO 33 HB 16	M 33 x 2	G 1" -11	33	41	29.74 x 2.95
W90 HMO 42 HB 20	M 42 x 2	G 1.1/4" -11	41	50	38.00 x 3.00
W90 HMO 48 HB 24	M 48 x 2	G 1.1/2" -11	48	55	44.00 x 3.00

SW, S1, S2 = With across flats