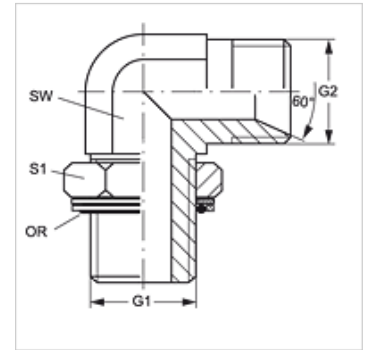


W90 HMOK HB

Screw-in socket, angle 90°

Properties

Connection 1	metric cylindrical outer thread
Sealing form 1	Thread socket with O-ring + spacer diaphragm ring
Connection 2	BSP cylindrical external threads
Sealing form 2	60° inner cone
Design	Adjustable direction screw-in socket
Construction	Angle 90°
Material	Steel
Surface	electro galvanised



Item

Identification	G1	G2	AF (mm)	S1	OR
W90 HMOK 10 HB 02	M 10 x 1	G 1/8" -28	11	15	8.00 x 1.50
W90 HMOK 12 HB 02	M 12 x 1.5	G 1/8" -28	14	18	9.30 x 2.40
W90 HMOK 12 HB 04	M 12 x 1.5	G 1/4" -19	14	18	9.30 x 2.40
W90 HMOK 14 HB 04	M 14 x 1.5	G 1/4" -19	14	20	11.30 x 2.40
W90 HMOK 14 HB 06	M 14 x 1.5	G 3/8" -19	14	20	11.30 x 2.40
W90 HMOK 16 HB 04	M 16 x 1.5	G 1/4" -19	19	20	13.30 x 2.40
W90 HMOK 16 HB 06	M 16 x 1.5	G 3/8" -19	19	20	13.30 x 2.40
W90 HMOK 18 HB 06	M 18 x 1.5	G 3/8" -19	19	25	15.30 x 2.40
W90 HMOK 18 HB 08	M 18 x 1.5	G 1/2" -14	19	25	15.30 x 2.40
W90 HMOK 20 HB 08	M 20 x 1.5	G 1/2" -14	27	28	17.30 x 2.40
W90 HMOK 22 HB 08	M 22 x 1.5	G 1/2" -14	27	28	19.30 x 2.40
W90 HMOK 22 HB 10	M 22 x 1.5	G 5/8" -14	27	28	19.30 x 2.40
W90 HMOK 22 HB 12	M 22 x 1.5	G 3/4" -14	27	28	19.30 x 2.40
W90 HMOK 26 HB 12	M 26 x 1.5	G 3/4" -14	30	33	23.50 x 2.60
W90 HMOK 27 HB 12	M 27 x 2	G 3/4" -14	30	33	23.47 x 2.95
W90 HMOK 33 HB 16	M 33 x 2	G 1" -11	36	42	29.74 x 2.95
W90 HMOK 42 HB 20	M 42 x 2	G 1.1/4" -11	41	50	38.00 x 3.00
W90 HMOK 48 HB 24	M 48 x 2	G 1.1/2" -11	50	56	44.00 x 3.00

SW, S1, S2 = With across flats

Spare parts

KAMMRING M Diaphragm ring, metric