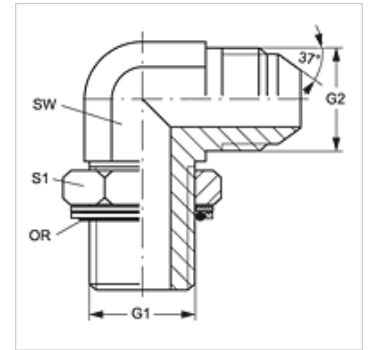


W90 HMOK HJ

Screw-in socket, angle 90°

Properties

Connection 1	metric cylindrical outer thread
Sealing form 1	Thread socket with O-ring + spacer diaphragm ring
Connection 2	UN/UNF external threads
Sealing form 2	74° outer cone
Design	Adjustable direction screw-in socket
Construction	Angle 90°
Material	Steel
Surface	electro galvanised



Item

Identification	G1	G2	AF (mm)	S1	OR
W90 HMOK 10 HJ 04	M 10 x 1	7/16"-20 UNF	11	13	8.0 x 1.5
W90 HMOK 10 HJ 05	M 10 x 1	1/2"-20 UNF	13	13	8.0 x 1.5
W90 HMOK 12 HJ 04	M 12 x 1.5	7/16"-20 UNF	13	17	9.4 x 2.1
W90 HMOK 12 HJ 05	M 12 x 1.5	1/2"-20 UNF	13	17	9.4 x 2.1
W90 HMOK 14 HJ 05	M 14 x 1.5	1/2"-20 UNF	14	17	11.4 x 2.1
W90 HMOK 14 HJ 06	M 14 x 1.5	9/16"-18 UNF	14	17	11.4 x 2.1
W90 HMOK 16 HJ 06	M 16 x 1.5	9/16"-18 UNF	19	19	13.4 x 2.1
W90 HMOK 16 HJ 08	M 16 x 1.5	3/4"-16 UNF	19	19	13.4 x 2.1
W90 HMOK 18 HJ 06	M 18 x 1.5	9/16"-18 UNF	22	22	15.4 x 2.1
W90 HMOK 18 HJ 08	M 18 x 1.5	3/4"-16 UNF	19	22	15.4 x 2.1
W90 HMOK 18 HJ 10	M 18 x 1.5	7/8"-14 UNF	22	22	15.4 x 2.1
W90 HMOK 20 HJ 10	M 20 x 1.5	7/8"-14 UNF	22	24	17.3 x 2.4
W90 HMOK 22 HJ 10	M 22 x 1.5	7/8"-14 UNF	22	27	19.4 x 2.1
W90 HMOK 22 HJ 12	M 22 x 1.5	1.1/16" -12 UN	27	27	19.4 x 2.1
W90 HMOK 26 HJ 14	M 26 x 1.5	1.3/16" -12 UN	33	32	23.5 x 2.6
W90 HMOK 27 HJ 12	M 27 x 2	1.1/16" -12 UN	27	32	23.7 x 2.8
W90 HMOK 27 HJ 16	M 27 x 2	1.5/16" -12 UN	33	32	23.7 x 2.8
W90 HMOK 33 HJ 16	M 33 x 2	1.5/16" -12 UN	33	38	29.7 x 2.8
W90 HMOK 42 HJ 20	M 42 x 2	1.5/8" -12 UN	41	50	38.7 x 2.8
W90 HMOK 48 HJ 24	M 48 x 2	1.7/8" -12 UN	48	55	46.7 x 2.8

SW, S1, S2 = With across flats

Spare parts

KAMMRING M Diaphragm ring, metric