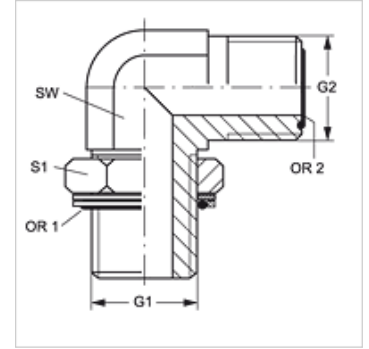


# W90 HMOK HJOF

Screw-in socket, angle 90°

## Properties

<b>Connection 1</b>	metric cylindrical outer thread
<b>Sealing form 1</b>	Thread socket with O-ring + spacer diaphragm ring
<b>Connection 2</b>	ORFS external threads
<b>Sealing form 2</b>	flat seal with O-ring
<b>Design</b>	Adjustable direction screw-in socket
<b>Construction</b>	Angle 90°
<b>Material</b>	Steel
<b>Surface</b>	electro galvanised



## Item

Identification	G1	G2	AF (mm)	S1	OR1	OR2
W90 HMOK 10 HJOF 04	M 10 x 1	9/16"-18 UNF	14	15	8.00 x 1.50	7.65 x 1.78
W90 HMOK 12 HJOF 04	M 12 x 1.5	9/16"-18 UNF	14	18	9.30 x 2.30	7.65 x 1.78
W90 HMOK 14 HJOF 06	M 14 x 1.5	11/16" -16 UN	19	20	11.30 x 2.30	9.25 x 1.78
W90 HMOK 16 HJOF 06	M 16 x 1.5	11/16" -16 UN	19	20	13.30 x 2.30	9.25 x 1.78
W90 HMOK 18 HJOF 08	M 18 x 1.5	13/16" -16 UN	19	25	15.30 x 2.30	12.42 x 1.78
W90 HMOK 22 HJOF 08	M 22 x 1.5	13/16" -16 UN	19	28	19.30 x 2.30	12.42 x 1.78
W90 HMOK 22 HJOF 10	M 22 x 1.5	1" -14 UNS	27	28	19.30 x 2.30	15.60 x 1.78
W90 HMOK 27 HJOF 10	M 27 x 2	1" -14 UNS	27	32	23.47 x 2.95	15.60 x 1.78
W90 HMOK 27 HJOF 12	M 27 x 2	1.3/16" -12 UN	30	32	23.47 x 2.95	18.77 x 1.78
W90 HMOK 33 HJOF 12	M 33 x 2	1.3/16" -12 UN	30	42	29.74 x 2.95	18.77 x 1.78
W90 HMOK 33 HJOF 16	M 33 x 2	1.7/16" -12 UN	36	42	29.74 x 2.95	23.52 x 1.78
W90 HMOK 42 HJOF 16	M 42 x 2	1.7/16" -12 UN	36	50	38.00 x 3.00	23.52 x 1.78
W90 HMOK 42 HJOF 20	M 42 x 2	1.11/16" -12 UN	41	50	38.00 x 3.00	29.87 x 1.78
W90 HMOK 48 HJOF 20	M 48 x 2	1.11/16" -12 UN	41	56	44.04 x 3.53	29.87 x 1.78
W90 HMOK 48 HJOF 24	M 48 x 2	2" -12 UN	50	56	44.04 x 3.53	37.82 x 1.78

SW, S1, S2 = With across flats

## Spare parts

<b>KAMMRING M</b>	Diaphragm ring, metric
-------------------	------------------------