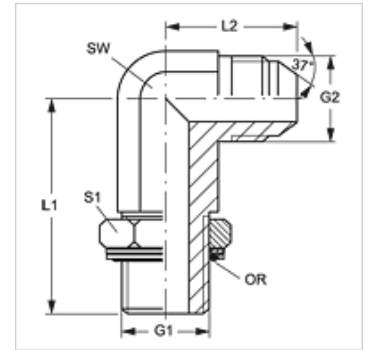


# W90 HMOK L HJ

Screw-in socket, long, angle 90°

## Properties

<b>Connection 1</b>	metric cylindrical outer thread
<b>Sealing form 1</b>	O-ring seal on screw-in socket
<b>Connection 2</b>	UN/UNF external threads
<b>Sealing form 2</b>	74° outer cone
<b>Design</b>	Screw-in socket, long
<b>Construction</b>	Angle 90°
<b>Material</b>	Steel
<b>Surface</b>	electro galvanised



## Item

Identification	G1	G2	L1 (mm)	L2 (mm)	AF (mm)	S1	OR
<b>W90 HMOK L 10 HJ 05</b>	M 10 x 1	1/2"-20 UNF	49,5	24,0	13	15	8.0 x 1.5
<b>W90 HMOK L 12 HJ 05</b>	M 12 x 1.5	1/2"-20 UNF	53,5	27,0	13	18	9.3 x 2.4
<b>W90 HMOK L 14 HJ 06</b>	M 14 x 1.5	9/16"-18 UNF	56,5	27,0	14	20	11.3 x 2.4
<b>W90 HMOK L 16 HJ 06</b>	M 16 x 1.5	9/16"-18 UNF	67,0	28,5	19	22	13.3 x 2.4
<b>W90 HMOK L 18 HJ 08</b>	M 18 x 1.5	3/4"-16 UNF	67,0	31,5	19	25	15.3 x 2.4
<b>W90 HMOK L 18 HJ 10</b>	M 18 x 1.5	7/8"-14 UNF	75,0	36,5	22	25	15.3 x 2.4
<b>W90 HMOK L 20 HJ 10</b>	M 20 x 1.5	7/8"-14 UNF	78,0	36,5	22	28	17.3 x 2.4
<b>W90 HMOK L 22 HJ 10</b>	M 22 x 1.5	7/8"-14 UNF	78,0	36,5	22	28	19.3 x 2.4

SW, S1, S2 = With across flats

## Spare parts

**KAMMRING M** Diaphragm ring, metric