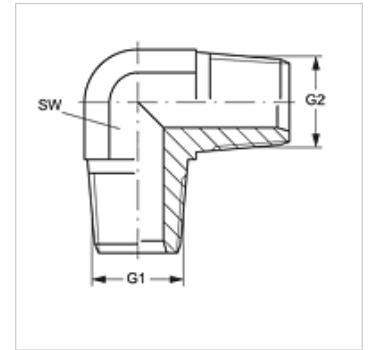


W90 HN

Screw-in socket, angle 90°

Properties

Connection 1	NPT external threads
Sealing form 1	thread seal
Connection 2	NPT external threads
Sealing form 2	thread seal
Design	Screw-in sockets
Construction	Angle 90°
Material	Steel
Surface	electro galvanised



Item

Identification	G1	G2	AF (mm)
W90 HN 02	1/8" -27 NPT	1/8" -27 NPT	11
W90 HN 04	1/4" -18 NPT	1/4" -18 NPT	14
W90 HN 06 HN 04	3/8" -18 NPT	1/4" -18 NPT	19
W90 HN 06	3/8" -18 NPT	3/8" -18 NPT	19
W90 HN 08	1/2" -14 NPT	1/2" -14 NPT	22
W90 HN 12	3/4" -14 NPT	3/4" -14 NPT	27
W90 HN 16	1" -11.5 NPT	1" -11.5 NPT	41
W90 HN 20	1.1/4" -11.5 NPT	1.1/4" -11.5 NPT	48
W90 HN 24	1.1/2" -11.5 NPT	1.1/2" -11.5 NPT	48
W90 HN 32	2" -11.5 NPT	2" -11.5 NPT	50

AF = Width across flats

Product versions

W90 HN VA Screw-in socket, angle 90°, Stainless steel