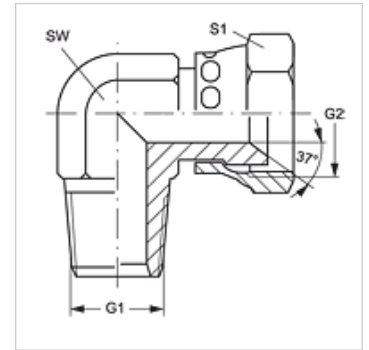


# W90 HN AJ

Screw-in socket, angle 90°

## Properties

<b>Connection 1</b>	NPT external threads
<b>Sealing form 1</b>	thread seal
<b>Connection 2</b>	UN/UNF nut threads
<b>Sealing form 2</b>	74° inner cone
<b>Design</b>	Screw-in sockets
<b>Construction</b>	Angle 90°
<b>Material</b>	Steel
<b>Surface</b>	electro galvanised



## Item

Identification	G1	G2	AF (mm)	S1
W90 HN 02 AJ 04	1/8" -27 NPT	7/16"-20 UNF	13	14
W90 HN 02 AJ 05	1/8" -27 NPT	1/2"-20 UNF	14	16
W90 HN 04 AJ	1/4" -18 NPT	7/16"-20 UNF	14	14
W90 HN 04 AJ 06	1/4" -18 NPT	9/16"-18 UNF	16	19
W90 HN 06 AJ	3/8" -18 NPT	9/16"-18 UNF	19	19
W90 HN 06 AJ 08	3/8" -18 NPT	3/4"-16 UNF	19	22
W90 HN 08 AJ 10	1/2" -14 NPT	7/8"-14 UNF	24	27
W90 HN 12 AJ	3/4" -14 NPT	1.1/16" -12 UN	27	32
W90 HN 16 AJ	1" -11.5 NPT	1.5/16" -12 UN	36	38

SW, S1, S2 = With across flats

## Product versions

W90 HN AJ VA Screw-in socket, angle 90°, Stainless steel