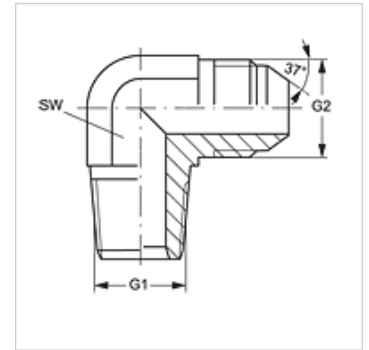


W90 HN HJ VA

Screw-in socket, angle 90°

Properties

Connection 1	NPT external threads
Sealing form 1	thread seal
Connection 2	UN/UNF external threads
Sealing form 2	74° outer cone
Design	Screw-in sockets
Construction	Angle 90°
Material	Stainless steel



Item

Identification	G1	G2	AF (mm)	S1
W90 HN 06 HJ 05 VA	3/8" -18 NPT	1/2"-20 UNF	19	-
W90 HN 20 HJ 24 VA	1.1/4" -11.5 NPT	1.7/8" -12 UN	48	-
W90 HN 02 HJ 04 VA	1/8" -27 NPT	7/16"-20 UNF	11	-
W90 HN 02 HJ 05 VA	1/8" -27 NPT	1/2"-20 UNF	13	-
W90 HN 02 HJ 06 VA	1/8" -27 NPT	9/16"-18 UNF	14	-
W90 HN 04 HJ VA	1/4" -18 NPT	7/16"-20 UNF	14	-
W90 HN 04 HJ 05 VA	1/4" -18 NPT	1/2"-20 UNF	14	-
W90 HN 04 HJ 06 VA	1/4" -18 NPT	9/16"-18 UNF	14	-
W90 HN 04 HJ 08 VA	1/4" -18 NPT	3/4"-16 UNF	19	-
W90 HN 06 HJ 04 VA	3/8" -18 NPT	7/16"-20 UNF	19	-
W90 HN 06 HJ VA	3/8" -18 NPT	9/16"-18 UNF	19	-
W90 HN 06 HJ 08 VA	3/8" -18 NPT	3/4"-16 UNF	19	-
W90 HN 08 HJ 16 VA	1/2" -14 NPT	1.5/16" -12 UN	33	24
W90 HN 06 HJ 10 VA	3/8" -18 NPT	7/8"-14 UNF	22	-
W90 HN 08 HJ VA	1/2" -14 NPT	3/4"-16 UNF	22	-
W90 HN 08 HJ 06 VA	1/2" -14 NPT	9/16"-18 UNF	22	-
W90 HN 08 HJ 10 VA	1/2" -14 NPT	7/8"-14 UNF	22	-
W90 HN 08 HJ 12 VA	1/2" -14 NPT	1.1/16" -12 UN	27	-
W90 HN 12 HJ VA	3/4" -14 NPT	1.1/16" -12 UN	27	-
W90 HN 12 HJ 10 VA	3/4" -14 NPT	7/8"-14 UNF	27	-
W90 HN 12 HJ 16 VA	3/4" -14 NPT	1.5/16" -12 UN	33	-
W90 HN 16 HJ VA	1" -11.5 NPT	1.5/16" -12 UN	33	-
W90 HN 16 HJ 12 VA	1" -11.5 NPT	1.1/16" -12 UN	33	-
W90 HN 16 HJ 20 VA	1" -11.5 NPT	1.5/8" -12 UN	41	-
W90 HN 20 HJ VA	1.1/4" -11.5 NPT	1.5/8" -12 UN	45	-
W90 HN 24 HJ VA	1.1/2" -11.5 NPT	1.7/8" -12 UN	48	-

AF = Width across flats

Product versions

W90 HN HJ	Screw-in socket, angle 90°, Steel
-----------	-----------------------------------