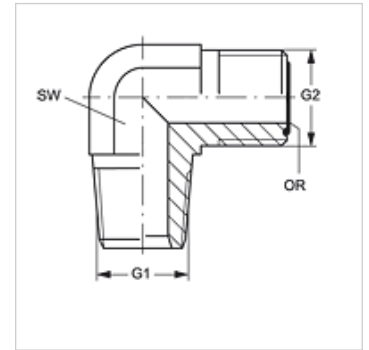


W90 HN HJOF

Screw-in socket, angle 90°

Properties

Connection 1	NPT external threads
Sealing form 1	thread seal
Connection 2	ORFS external threads
Sealing form 2	flat seal with O-ring
Design	Screw-in sockets
Construction	Angle 90°
Material	Steel
Surface	electro galvanised



Item

Identification	G1	G2	AF (mm)	OR
W90 HN 02 HJOF 04	1/8" -27 NPT	9/16"-18 UNF	14	7.65 x 1.78
W90 HN 04 HJOF	1/4" -18 NPT	9/16"-18 UNF	14	7.65 x 1.78
W90 HN 04 HJOF 06	1/4" -18 NPT	11/16" -16 UN	19	9.25 x 1.78
W90 HN 06 HJOF	3/8" -18 NPT	11/16" -16 UN	19	9.25 x 1.78
W90 HN 06 HJOF 08	3/8" -18 NPT	13/16" -16 UN	19	12.42 x 1.78
W90 HN 08 HJOF 06	1/2" -14 NPT	11/16" -16 UN	22	9.25 x 1.78
W90 HN 08 HJOF	1/2" -14 NPT	13/16" -16 UN	22	12.42 x 1.78
W90 HN 08 HJOF 10	1/2" -14 NPT	1" -14 UNS	27	15.60 x 1.78
W90 HN 08 HJOF 12	1/2" -14 NPT	1.3/16" -12 UN	30	18.77 x 1.78
W90 HN 12 HJOF 08	3/4" -14 NPT	13/16" -16 UN	30	12.42 x 1.78
W90 HN 12 HJOF 10	3/4" -14 NPT	1" -14 UNS	30	15.60 x 1.78
W90 HN 12 HJOF	3/4" -14 NPT	1.3/16" -12 UN	30	18.77 x 1.78
W90 HN 12 HJOF 16	3/4" -14 NPT	1.7/16" -12 UN	37	23.52 x 1.78
W90 HN 16 HJOF 12	1" -11.5 NPT	1.3/16" -12 UN	33	18.77 x 1.78
W90 HN 16 HJOF	1" -11.5 NPT	1.7/16" -12 UN	37	23.52 x 1.78
W90 HN 20 HJOF	1.1/4" -11.5 NPT	1.11/16" -12 UN	41	29.87 x 1.78
W90 HN 24 HJOF	1.1/2" -11.5 NPT	2" -12 UN	48	37.82 x 1.78

AF = Width across flats

Product versions

W90 HN HJOF VA Screw-in socket, angle 90°, Stainless steel