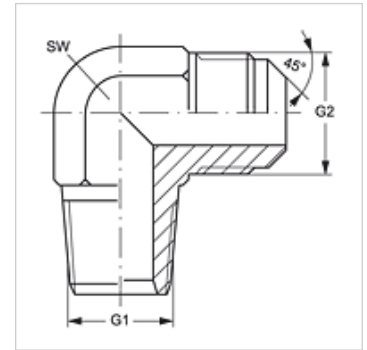


# W90 HN HSA

Screw-in socket, angle 90°

## Properties

<b>Connection 1</b>	NPT external threads
<b>Sealing form 1</b>	thread seal
<b>Connection 2</b>	UN/UNF external threads
<b>Sealing form 2</b>	45° outer cone
<b>Design</b>	Screw-in sockets
<b>Construction</b>	Angle 90°
<b>Material</b>	Brass



## Item

Identification	G1	G2	AF (mm)
<b>W90 HN 04 HSA 06</b>	1/4" -18 NPT	5/8"-18 UNF	19

AF = Width across flats