

W90 HN IN

Screw-in socket, angle 90°

Properties

Connection 1 NPT external threads

Sealing form 1 thread seal

Connection 2 NPT internal thread

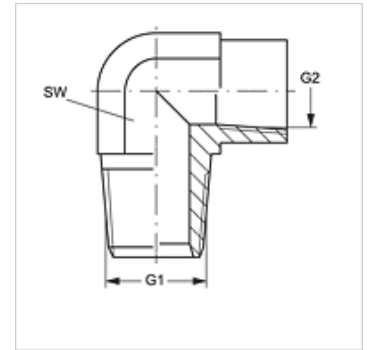
Sealing form 2 thread seal

Design Screw-in sockets

Construction Angle 90°

Material Steel

Surface electro galvanised



Item

Identification	G1	G2	AF (mm)
W90 HN 02 IN	1/8" -27 NPT	1/8" -27 NPT	16
W90 HN 04 IN 02	1/4" -18 NPT	1/8" -27 NPT	16
W90 HN 04 IN	1/4" -18 NPT	1/4" -18 NPT	19
W90 HN 06 IN	3/8" -18 NPT	3/8" -18 NPT	22
W90 HN 08 IN	1/2" -14 NPT	1/2" -14 NPT	27
W90 HN 12 IN 08	3/4" -14 NPT	1/2" -14 NPT	27
W90 HN 12 IN	3/4" -14 NPT	3/4" -14 NPT	33
W90 HN 16 IN	1" -11.5 NPT	1" -11.5 NPT	41

AF = Width across flats

Product versions

W90 HN IN VA Screw-in socket, angle 90°, Stainless steel