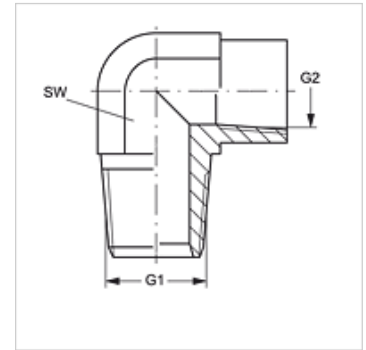


W90 HN IN VA

Screw-in socket, angle 90°

Properties

Connection 1	NPT external threads
Sealing form 1	thread seal
Connection 2	NPT internal thread
Sealing form 2	thread seal
Design	Screw-in sockets
Construction	Angle 90°
Material	Stainless steel



Item

Identification	G1	G2	AF (mm)
W90 HN 02 IN VA	1/8" -27 NPT	1/8" -27 NPT	14
W90 HN 04 IN VA	1/4" -18 NPT	1/4" -18 NPT	19
W90 HN 06 IN VA	3/8" -18 NPT	3/8" -18 NPT	22
W90 HN 08 IN VA	1/2" -14 NPT	1/2" -14 NPT	27

AF = Width across flats

Product versions

W90 HN IN	Screw-in socket, angle 90°, Steel
------------------	-----------------------------------