

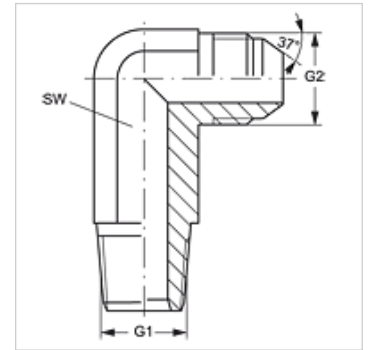
W90 HN L HJ

Screw-in socket, long, angle 90°

HANSA FLEX

Properties

Connection 1	NPT external threads
Sealing form 1	thread seal
Connection 2	UN/UNF external threads
Sealing form 2	74° outer cone
Design	Screw-in socket, long
Construction	Angle 90°
Material	Steel
Surface	electro galvanised



Item

Identification	G1	G2	AF (mm)
W90 HN L 02 HJ 04	1/8" -27 NPT	7/16" -20 UN	11
W90 HN L 04 HJ	1/4" -18 NPT	7/16"-20 UNF	14
W90 HN L 04 HJ 06	1/4" -18 NPT	9/16"-18 UNF	14
W90 HN L 06 HJ	3/8" -18 NPT	9/16"-18 UNF	19
W90 HN L 06 HJ 08	3/8" -18 NPT	3/4"-16 UNF	19
W90 HN L 08 HJ 10	1/2" -14 NPT	7/8"-14 UNF	22
W90 HN L 12 HJ	3/4" -14 NPT	1.1/16" -12 UN	27
W90 HN L 16 HJ	1" -11.5 NPT	1.5/16" -12 UN	33
W90 HN L 20 HJ	1.1/4" -11.5 NPT	1.5/8" -12 UN	41

AF = Width across flats