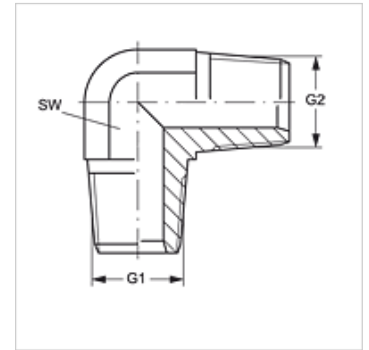


W90 HN VA

Screw-in socket, angle 90°

Properties

Connection 1	NPT external threads
Sealing form 1	thread seal
Connection 2	NPT external threads
Sealing form 2	thread seal
Design	Screw-in sockets
Construction	Angle 90°
Material	Stainless steel



Item

Identification	G1	G2	AF (mm)
W90 HN 02 VA	1/8" -27 NPT	1/8" -27 NPT	11
W90 HN 04 VA	1/4" -18 NPT	1/4" -18 NPT	14

AF = Width across flats

Product versions

W90 HN	Screw-in socket, angle 90°, Steel
---------------	-----------------------------------