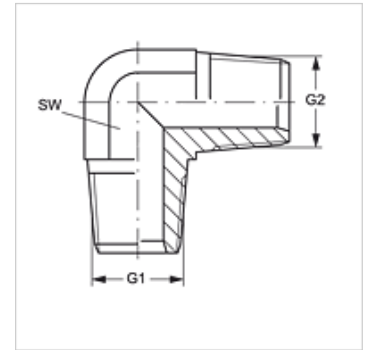


# W90 HRK

Screw-in socket, angle 90°

## Properties

<b>Connection 1</b>	BSPT conical external threads
<b>Sealing form 1</b>	thread seal
<b>Connection 2</b>	BSPT conical external threads
<b>Sealing form 2</b>	thread seal
<b>Design</b>	Screw-in sockets
<b>Construction</b>	Angle 90°
<b>Material</b>	Steel
<b>Surface</b>	electro galvanised



## Item

Identification	G1 + G2	AF (mm)
<b>W90 HRK 02</b>	R 1/8" K	11
<b>W90 HRK 04</b>	R 1/4" K	14
<b>W90 HRK 06</b>	R 3/8" K	19
<b>W90 HRK 08</b>	R 1/2" K	22
<b>W90 HRK 12</b>	R 3/4" K	27
<b>W90 HRK 16</b>	R 1" K	33

AF = Width across flats