

# W90 HRK AB

Screw-in socket, angle 90°

## Properties

**Connection 1** BSPT conical external threads

**Sealing form 1** thread seal

**Connection 2** BSP nut thread

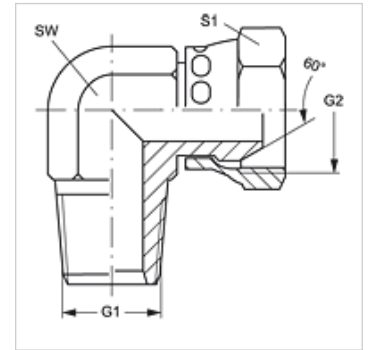
**Sealing form 2** 60° inner cone

**Design** Screw-in sockets

**Construction** Angle 90°

**Material** Steel

**Surface** electro galvanised



## Item

Identification	G1	G2	AF (mm)	S1	S2
<b>W90 HRK 04 AB</b>	R 1/4" K	G 1/4" -19	14	19	19
<b>W90 HRK 06 AB</b>	R 3/8" K	G 3/8" -19	19	22	22
<b>W90 HRK 08 AB</b>	R 1/2" K	G 1/2" -14	22	27	27
<b>W90 HRK 12 AB</b>	R 3/4" K	G 3/4" -14	27	32	32
<b>W90 HRK 16 AB</b>	R 1" K	G 1" -11	33	41	41
<b>W90 HRK 20 AB</b>	R 1.1/4" K	G 1.1/4" -11	41	50	50
<b>W90 HRK 24 AB</b>	R 1.1/2" K	G 1.1/2" -11	48	60	60

SW, S1, S2 = With across flats