

W90 HRK AJ

Screw-in socket, angle 90°

Properties

Connection 1 BSPT conical external threads

Sealing form 1 thread seal

Connection 2 UN/UNF nut threads

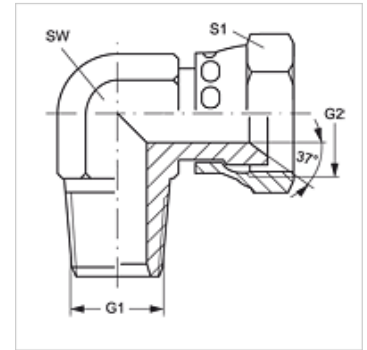
Sealing form 2 74° outer cone

Design Screw-in sockets

Construction Angle 90°

Material Steel

Surface electro galvanised



Item

Identification	G1	G2	AF (mm)	S1	S2
W90 HRK 04 AJ	R 1/4" K	7/16"-20 UNF	14	16	18
W90 HRK 06 AJ	R 3/8" K	9/16"-18 UNF	19	19	22
W90 HRK 08 AJ	R 1/2" K	3/4"-16 UNF	22	22	32
W90 HRK 08 AJ 10	R 1/2" K	7/8"-14 UNF	22	27	25
W90 HRK 12AJ	R 3/4" K	1.1/16" -12 UN	27	32	21

SW, S1, S2 = With across flats