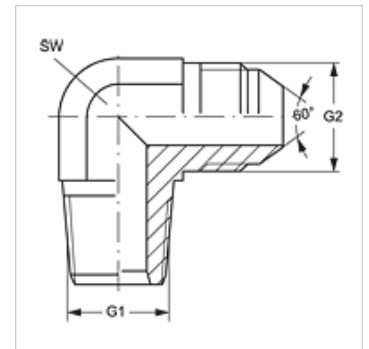


# W90 HRK HJL

Screw-in socket, angle 90°

## Properties

<b>Connection 1</b>	BSPT conical external threads
<b>Sealing form 1</b>	thread seal
<b>Connection 2</b>	metric cylindrical outer thread
<b>Sealing form 2</b>	60° outer cone
<b>Design</b>	Screw-in sockets
<b>Construction</b>	Angle 90°
<b>Material</b>	Steel
<b>Surface</b>	electro galvanised



## Item

Identification	G1	G2	AF (mm)
<b>W90 HRK 04 NW 06 HJL</b>	R 1/4" K	M 14 x 1.5	14
<b>W90 HRK 06 NW 08 HJL</b>	R 3/8" K	M 16 x 1.5	19
<b>W90 HRK 06 NW 10 HJL</b>	R 3/8" K	M 18 x 1.5	19
<b>W90 HRK 08 NW 13 HJL</b>	R 1/2" K	M 22 x 1.5	22
<b>W90 HRK 08 NW 16 HJL</b>	R 1/2" K	M 24 x 1.5	22
<b>W90 HRK 12 NW 20 HJL</b>	R 3/4" K	M 30 x 1.5	27
<b>W90 HRK 16 NW 25 HJL</b>	R 1" K	M 33 x 1.5	33

AF = Width across flats