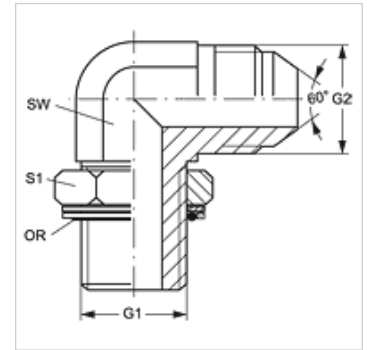


W90 HROK HJL

Screw-in socket, angle 90°

Properties

Connection 1	BSP external thread, cylindrical
Sealing form 1	O-ring and spacer diaphragm ring
Connection 2	metric cylindrical outer thread
Sealing form 2	60° outer cone
Design	Adjustable direction screw-in socket
Construction	Angle 90°
Material	Steel
Surface	electro galvanised



Item

Identification	G1	G2	AF (mm)	S1	OR
W90 HROK 04 NW 06 HJL	G 1/4" -19	M 14 x 1.5	14	17	10.78 x 2.62
W90 HROK 06 NW 08 HJL	G 3/8" -19	M 16 x 1.5	19	19	13.94 x 2.62
W90 HROK 06 NW 10 HJL	G 3/8" -19	M 18 x 1.5	19	22	13.94 x 2.62
W90 HROK 08 NW 13 HJL	G 1/2" -14	M 22 x 1.5	22	27	17.86 x 2.62
W90 HROK 12 NW 20 HJL	G 3/4" -14	M 30 x 1.5	27	32	23.47 x 2.62
W90 HROK 16 NW 25 HJL	G 1" -11	M 33 x 1.5	33	38	29.74 x 3.53

SW, S1, S2 = With across flats

Spare parts

KAMMRING G	Spacer diaphragm ring, imperial
-------------------	---------------------------------