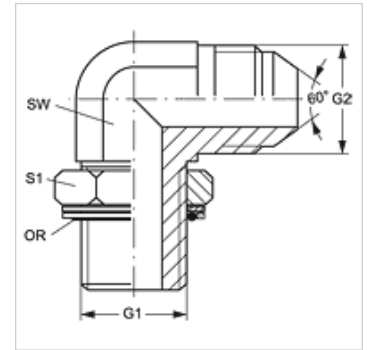


# W90 HROK HJR

Screw-in socket, angle 90°

## Properties

<b>Connection 1</b>	BSP external thread, cylindrical
<b>Sealing form 1</b>	O-ring seal on screw-in socket
<b>Connection 2</b>	BSP cylindrical external threads
<b>Sealing form 2</b>	60° outer cone
<b>Design</b>	Screw-in sockets
<b>Construction</b>	Angle 90°
<b>Standard connection 2</b>	JIS B 8363
<b>Material</b>	Steel
<b>Surface</b>	electro galvanised



## Item

Identification	G1 + G2	AF (mm)	S1	OR
W90 HROK 04 HJR	G 1/4" -19	19	14	10.77 x 2.62
W90 HROK 06 HJR	G 3/8" -19	22	19	13.94 x 2.62
W90 HROK 08 HJR	G 1/2" -14	27	22	17.86 x 2.62
W90 HROK 12 HJR	G 3/4" -14	36	27	23.47 x 2.62
W90 HROK 16 HJR	G 1" -11	41	33	29.74 x 3.53

SW, S1, S2 = With across flats

## Spare parts

<b>KAMMRING G</b>	Spacer diaphragm ring, imperial
-------------------	---------------------------------