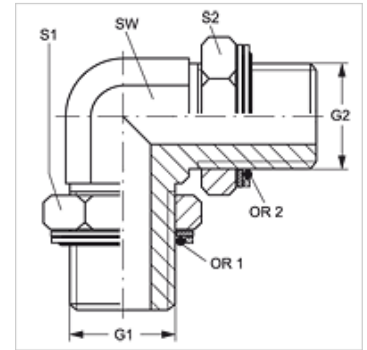


W90 HROK

Screw-in socket, angle 90°

Properties

Connection 1 + 2	BSP cylindrical external threads
Sealing form 1 + 2	Thread socket with O-ring + spacer diaphragm ring
Design	Adjustable direction screw-in socket
Construction	Angle 90°
Material	Steel
Surface	electro galvanised



Item

Identification	G1 + G2	AF (mm)	S1 + S2 (mm)	S1	S2	OR	OR1 + OR2
W90 HROK 08	G 1/2" -14	22	27	27	27	17.86 x 2.62	17.96 x 2.62

SW, S1, S2 = With across flats

Spare parts

KAMMRING G	Spacer diaphragm ring, imperial
-------------------	---------------------------------