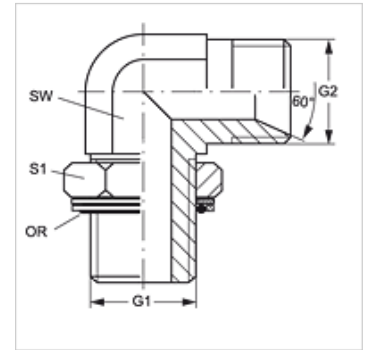


W90 HROK HB

Screw-in socket, angle 90°

Properties

Connection 1	BSP external thread, cylindrical
Sealing form 1	Thread socket with O-ring + spacer diaphragm ring
Connection 2	BSP cylindrical external threads
Sealing form 2	60° inner cone
Design	Adjustable direction screw-in socket
Construction	Angle 90°
Material	Steel
Surface	electro galvanised



Item

Identification	G1	G2	AF (mm)	S1	OR
W90 HROK 02 HB	G 1/8" -28	G 1/8" -28	11	14	7.97 x 1.88
W90 HROK 04 HB 02	G 1/4" -19	G 1/8" -28	14	19	10.77 x 2.62
W90 HROK 04 HB	G 1/4" -19	G 1/4" -19	14	19	10.77 x 2.62
W90 HROK 04 HB 06	G 1/4" -19	G 3/8" -19	14	19	10.77 x 2.62
W90 HROK 06 HB 04	G 3/8" -19	G 1/4" -19	19	22	13.94 x 2.62
W90 HROK 06 HB	G 3/8" -19	G 3/8" -19	19	22	13.94 x 2.62
W90 HROK 06 HB 08	G 3/8" -19	G 1/2" -14	19	22	13.94 x 2.62
W90 HROK 08 HB 06	G 1/2" -14	G 3/8" -19	22	27	17.86 x 2.62
W90 HROK 08 HB	G 1/2" -14	G 1/2" -14	22	27	17.86 x 2.62
W90 HROK 08 HB 10	G 1/2" -14	G 5/8" -14	22	27	17.86 x 2.62
W90 HROK 08 HB 12	G 1/2" -14	G 3/4" -14	27	27	17.86 x 2.62
W90 HROK 12 HB 08	G 3/4" -14	G 1/2" -14	27	35	23.47 x 2.62
W90 HROK 12 HB	G 3/4" -14	G 3/4" -14	27	36	23.47 x 2.62
W90 HROK 12 HB 16	G 3/4" -14	G 1" -11	33	36	23.47 x 2.62
W90 HROK 16 HB 12	G 1" -11	G 3/4" -14	33	41	29.74 x 3.53
W90 HROK 16 HB	G 1" -11	G 1" -11	33	41	29.74 x 3.53
W90 HROK 20 HB 16	G 1.1/4" -11	G 1" -11	41	50	37.69 x 3.53
W90 HROK 20 HB	G 1.1/4" -11	G 1.1/4" -11	41	50	37.69 x 3.53
W90 HROK 24 HB	G 1.1/2" -11	G 1.1/2" -11	48	55	44.04 x 3.53

SW, S1, S2 = With across flats

Spare parts

KAMMRING G Spacer diaphragm ring, imperial