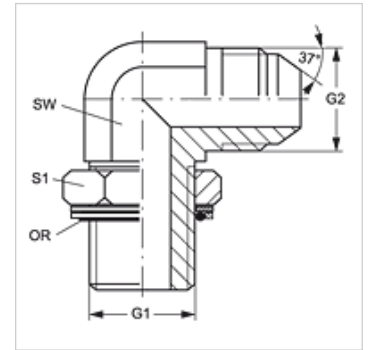


# W90 HROK HJ

Screw-in socket, angle 90°

## Properties

<b>Connection 1</b>	BSP external thread, cylindrical
<b>Sealing form 1</b>	Thread socket with O-ring + spacer diaphragm ring
<b>Connection 2</b>	UN/UNF external threads
<b>Sealing form 2</b>	74° outer cone
<b>Design</b>	Adjustable direction screw-in socket
<b>Construction</b>	Angle 90°
<b>Material</b>	Steel
<b>Surface</b>	electro galvanised



## Item

Identification	G1	G2	AF (mm)	S1	OR
W90 HROK 02 HJ 04	G 1/8" -28	7/16"-20 UNF	12	14	7.97 x 1.88
W90 HROK 02 HJ 05	G 1/8" -28	1/2"-20 UNF	14	14	7.97 x 1.88
W90 HROK 04 HJ	G 1/4" -19	7/16"-20 UNF	14	19	10.77 x 2.62
W90 HROK 04 HJ 05	G 1/4" -19	1/2"-20 UNF	14	19	10.77 x 2.62
W90 HROK 04 HJ 06	G 1/4" -19	9/16"-18 UNF	14	19	10.77 x 2.62
W90 HROK 04 HJ 08	G 1/4" -19	3/4"-16 UNF	19	19	10.77 x 2.62
W90 HROK 06 HJ 04	G 3/8" -19	7/16"-20 UNF	19	22	13.94 x 2.62
W90 HROK 06 HJ 05	G 3/8" -19	1/2"-20 UNF	19	22	13.94 x 2.62
W90 HROK 06 HJ	G 3/8" -19	9/16"-18 UNF	19	22	13.94 x 2.62
W90 HROK 06 HJ 08	G 3/8" -19	3/4"-16 UNF	19	22	13.94 x 2.62
W90 HROK 06 HJ 10	G 3/8" -19	7/8"-14 UNF	22	22	13.94 x 2.62
W90 HROK 08 HJ 04	G 1/2" -14	7/16"-20 UNF	19	27	17.86 x 2.62
W90 HROK 08 HJ	G 1/2" -14	3/4"-16 UNF	22	27	17.86 x 2.62
W90 HROK 08 HJ 06	G 1/2" -14	9/16"-18 UNF	22	27	17.86 x 2.62
W90 HROK 08 HJ 10	G 1/2" -14	7/8"-14 UNF	22	27	17.86 x 2.62
W90 HROK 08 HJ 12	G 1/2" -14	1.1/16" -12 UN	27	27	17.86 x 2.62
W90 HROK 10 HJ	G 5/8" -14	7/8"-14 UNF	22	30	19.70 x 2.62
W90 HROK 12 HJ 08	G 3/4" -14	3/4"-16 UNF	27	36	23.47 x 2.62
W90 HROK 12 HJ 10	G 3/4" -14	7/8"-14 UNF	27	36	23.47 x 2.62
W90 HROK 12 HJ	G 3/4" -14	1.1/16" -12 UN	27	36	23.47 x 2.62
W90 HROK 12 HJ 14	G 3/4" -14	1.3/16" -12 UN	33	36	23.47 x 2.62
W90 HROK 12 HJ 16	G 3/4" -14	1.5/16" -12 UN	33	36	23.47 x 2.62
W90 HROK 16 HJ 12	G 1" -11	1.1/16" -12 UN	33	41	29.74 x 3.53
W90 HROK 16 HJ	G 1" -11	1.5/16" -12 UN	33	41	29.74 x 3.53
W90 HROK 16 HJ 20	G 1" -11	1.5/8" -12 UN	41	41	29.74 x 3.53
W90 HROK 20 HJ 16	G 1.1/4" -11	1.5/16" -12 UN	41	50	37.69 x 3.53
W90 HROK 20 HJ	G 1.1/4" -11	1.5/8" -12 UN	41	50	37.69 x 3.53
W90 HROK 20 HJ 24	G 1.1/4" -11	1.7/8" -12 UN	48	50	37.69 x 3.53
W90 HROK 24 HJ	G 1.1/2" -11	1.7/8" -12 UN	48	55	44.04 x 3.53

SW, S1, S2 = With across flats

## Product versions

W90 HROK HJ VA Screw-in socket, angle 90°, Stainless steel

## Spare parts

KAMMRING G Spacer diaphragm ring, imperial