

# W90 HRO L HJ

Screw-in socket, long, angle 90°

## Properties

**Connection 1** BSP external thread, cylindrical

**Sealing form 1** form G

**Connection 2** UN/UNF external threads

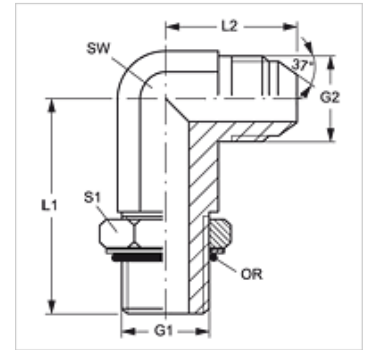
**Sealing form 2** 74° outer cone

**Design** Screw-in socket, long

**Construction** Angle 90°

**Material** Steel

**Surface** electro galvanised



## Item

Identification	G1	G2	AF (mm)	L1 (mm)	L2 (mm)	S1	OR
W90 HRO L 04 HJ 06	G 1/4" -19	9/16"-18 UNF	14	56,5	27,0	19	8.00 x 2.00
W90 HRO L 04 HJ 08	G 1/4" -19	3/4"-16 UNF	19	64,0	31,5	19	8.00 x 2.00
W90 HRO L 06 HJ	G 3/8" -19	9/16"-18 UNF	19	67,0	28,5	22	13.94 x 2.62
W90 HRO L 06 HJ 08	G 3/8" -19	3/4"-16 UNF	19	67,0	31,5	22	13.94 x 2.62
W90 HRO L 06 HJ 10	G 3/8" -19	7/8"-14 UNF	22	75,0	36,5	22	17.86 x 2.62
W90 HRO L 08 HJ 06	G 1/2" -14	9/16"-18 UNF	22	78,0	31,0	27	17.86 x 2.62
W90 HRO L 08 HJ	G 1/2" -14	3/4"-16 UNF	22	78,0	34,0	27	17.86 x 2.62
W90 HRO L 08 HJ 10	G 1/2" -14	7/8"-14 UNF	22	78,0	36,5	27	17.86 x 2.62
W90 HRO L 08 HJ 12	G 1/2" -14	1.1/16" -12 UN	27	88,0	42,0	27	17.86 x 2.62
W90 HRO L 12 HJ 10	G 3/4" -14	7/8"-14 UNF	27	92,0	39,5	36	23.47 x 2.62
W90 HRO L 12 HJ	G 3/4" -14	1.1/16" -12 UN	27	92,0	42,0	36	23.47 x 2.62
W90 HRO L 12 HJ 16	G 3/4" -14	1.5/16" -12 UN	33	105,0	46,0	36	23.47 x 2.62
W90 HRO L 16 HJ 12	G 1" -11	1.1/16" -12 UN	33	105,0	44,5	41	29.74 x 3.53
W90 HRO L 16 HJ	G 1" -11	1.5/16" -12 UN	33	105,0	46,0	41	29.74 x 3.53
W90 HRO L 16 HJ 20	G 1" -11	1.5/8" -12 UN	41	124,0	52,0	41	29.74 x 3.53

SW, S1, S2 = With across flats