

# W90 HSA

Fitting socket, angle 90°

## Properties

**Connection 1** UN/UNF external threads

**Sealing form 1** 45° outer cone

**Connection 2** UN/UNF external threads

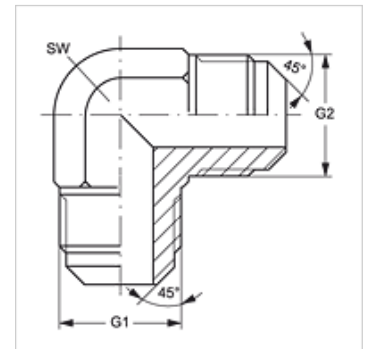
**Sealing form 2** 45° outer cone

**Design** Fitting socket

**Construction** Angle 90°

**Material** Steel

**Surface** electro galvanised



## Item

**Identification** G1 + G2

**W90 HSA 06** 5/8"-18 UNF