

W90 IN

Screw-on socket, IGN angle 90°

Properties

Connection 1 NPT internal thread

Sealing form 1 thread seal

Connection 2 NPT internal thread

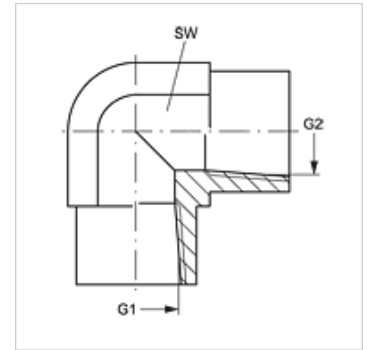
Sealing form 2 thread seal

Design Screw-on socket

Construction Angle 90°

Material Steel

Surface electro galvanised



Item

| Identification | G1 + G2 | AF (mm) |
|----------------|------------------|------------|
| W90 IN 02 | 1/8" -27 NPT | 14 |
| W90 IN 04 | 1/4" -18 NPT | 19 |
| W90 IN 06 | 3/8" -18 NPT | 22 |
| W90 IN 08 | 1/2" -14 NPT | 27 |
| W90 IN 12 | 3/4" -14 NPT | 41 |
| W90 IN 16 | 1" -11.5 NPT | 48 |
| W90 IN 20 | 1.1/4" -11.5 NPT | 48 |
| W90 IN 24 | 1.1/2" -11.5 NPT | 64 |
| W90 IN 32 | 2" -11.5 NPT | 64 |

AF = Width across flats

Product versions

W90 IN VA Screw-on socket, IGN angle 90°, Stainless steel