

W90 IN VA

Screw-on socket, IGN angle 90°

Properties

Connection 1 NPT internal thread

Sealing form 1 thread seal

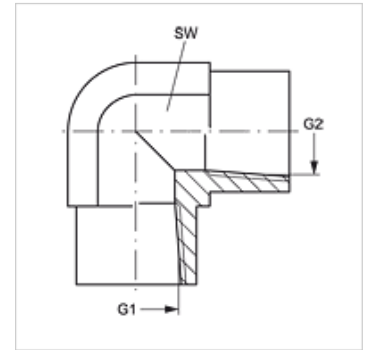
Connection 2 NPT internal thread

Sealing form 2 thread seal

Design Screw-on socket

Construction Angle 90°

Material Stainless steel



Item

Identification	G1 + G2	AF (mm)
W90 IN 02 VA	1/8" -27 NPT	14
W90 IN 04 VA	1/4" -18 NPT	19
W90 IN 06 VA	3/8" -18 NPT	22
W90 IN 08 VA	1/2" -14 NPT	27
W90 IN 12 VA	3/4" -14 NPT	41

AF = Width across flats

Product versions

W90 IN Screw-on socket, IGN angle 90°, Steel