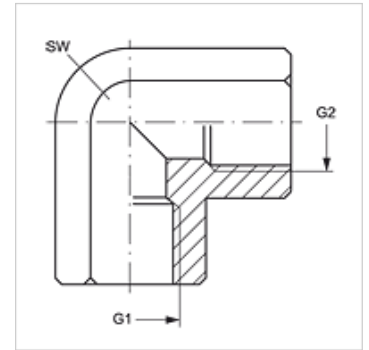


W90 IR

Connection socket, IGR, angle 90°

Properties

Connection 1	BSP cylindrical internal threads
Sealing form 1	flat sealing
Connection 2	BSP cylindrical internal threads
Sealing form 2	Flat seal
Design	Connection sockets
Construction	Angle 90°
Material	Steel
Surface	electro galvanised



Item

Identification	G1 + G2	AF (mm)
W90 IR 02	G 1/8" -28	17
W90 IR 04	G 1/4" -19	19
W90 IR 06	G 3/8" -19	22
W90 IR 08	G 1/2" -14	27
W90 IR 12	G 3/4" -14	33
W90 IR 16	G 1" -11	41
W90 IR 20	G 1.1/4" -11	48
W90 IR 24	G 1.1/2" -11	64
W90 IR 32	G 2" -11	73

AF = Width across flats