

W90 IR HJ

Connection socket, IGR AGJ, angle 90°

HANSA FLEX

Properties

Connection 1 BSP cylindrical internal threads

Sealing form 1 flat sealing

Connection 2 UN/UNF external threads

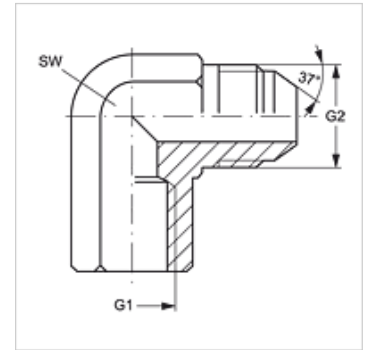
Sealing form 2 74° outer cone

Design Connection sockets

Construction Angle 90°

Material Steel

Surface electro galvanised



Item

Identification	G1	G2	AF (mm)
W90 IR 02 HJ 04	G 1/8" -28	7/16"-20 UNF	14
W90 IR 02 HJ 05	G 1/8" -28	1/2"-20 UNF	14
W90 IR 04 HJ	G 1/4" -19	7/16"-20 UNF	19
W90 IR 04 HJ 05	G 1/4" -19	1/2"-20 UNF	19
W90 IR 04 HJ 06	G 1/4" -19	9/16"-18 UNF	19
W90 IR 04 HJ 08	G 1/4" -19	3/4"-16 UNF	19
W90 IR 06 HJ	G 3/8" -19	9/16"-18 UNF	22
W90 IR 06 HJ 08	G 3/8" -19	3/4"-16 UNF	22
W90 IR 08 HJ	G 1/2" -14	3/4"-16 UNF	27
W90 IR 08 HJ 10	G 1/2" -14	7/8"-14 UNF	27
W90 IR 08 HJ 12	G 1/2" -14	1.1/16" -12 UN	27
W90 IR 12 HJ	G 3/4" -14	1.1/16" -12 UN	33
W90 IR 16 HJ	G 1" -11	1.5/16" -12 UN	41
W90 IR 16 HJ 20	G 1" -11	1.5/8" -12 UN	48
W90 IR 20 HJ	G 1.1/4" -11	1.5/8" -12 UN	48

AF = Width across flats