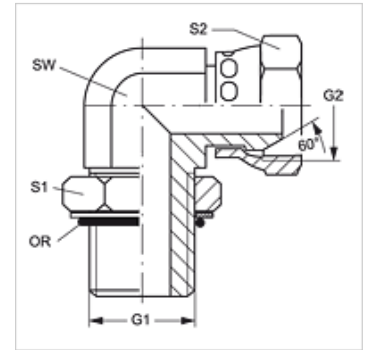


W90 O AN

Screw-in socket, DKN, angle 90°

Properties

| | |
|-----------------------|--------------------------------------|
| Connection 1 | UN/UNF external threads |
| Sealing form 1 | O-ring seal on screw-in socket |
| Connection 2 | NPSM nut thread |
| Sealing form 2 | 60° outer cone |
| Design | Adjustable direction screw-in socket |
| Construction | Angle 90° |
| Material | Steel |
| Surface | electro galvanised |



Item

| Identification | G1 | G2 | AF (mm) | S1 | S2 | OR |
|-----------------------|----------------|--------------|------------|----|----|--------------|
| W90 O 04 AN | 7/16"-20 UNF | 1/4" -18 NPT | 11 | 14 | 18 | 8.92 x 1.83 |
| W90 O 06 AN 04 | 9/16"-18 UNF | 1/4" -18 NPT | 14 | 18 | 18 | 11.90 x 1.98 |
| W90 O 06 AN | 9/16"-18 UNF | 3/8" -18 NPT | 14 | 18 | 25 | 11.90 x 1.98 |
| W90 O 08 AN | 3/4"-16 UNF | 1/2" -14 NPT | 19 | 22 | 25 | 16.36 x 2.20 |
| W90 O 08 AN 12 | 3/4"-16 UNF | 3/4" -14 NPT | 19 | 22 | 32 | 16.36 x 2.20 |
| W90 O 10 AN 06 | 7/8" -14 UNF | 3/8" -18 NPT | 22 | 25 | 22 | 19.18 x 2.46 |
| W90 O 10 AN 08 | 7/8" -14 UNF | 1/2" -14 NPT | 22 | 25 | 25 | 19.18 x 2.46 |
| W90 O 10 AN 12 | 7/8" -14 UNF | 3/4" -14 NPT | 22 | 25 | 32 | 19.18 x 2.46 |
| W90 O 12 AN 08 | 1.1/16" -12 UN | 1/2" -14 NPT | 27 | 32 | 25 | 23.47 x 2.95 |
| W90 O 12 AN | 1.1/16" -12 UN | 3/4" -14 NPT | 27 | 32 | 32 | 23.47 x 2.95 |
| W90 O 16 AN | 1.5/16" -12 UN | 1" -11.5 NPT | 33 | 38 | 38 | 29.74 x 2.95 |

SW, S1, S2 = With across flats