

# W90 O HJ VA

Screw-in socket, AGJ, angle 90°

**HANSA FLEX**

## Properties

**Connection 1** UN/UNF external threads

**Sealing form 1** O-ring seal on screw-in socket

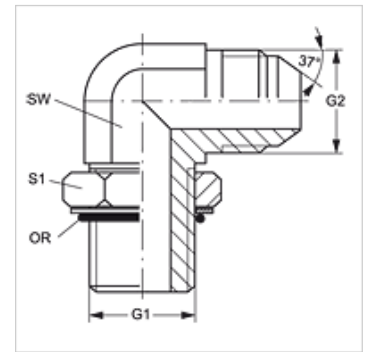
**Connection 2** UN/UNF external threads

**Sealing form 2** 74° outer cone

**Design** Adjustable direction screw-in socket

**Construction** Angle 90°

**Material** Stainless steel



## Ordering information

Seals of NBR

FPM (Viton) on request

## Item

Identification	G1	G2	AF (mm)	S1	OR
W90 O 04 HJ VA	7/16"-20 UNF	7/16"-20 UNF	11	14	8.92 x 1.83
W90 O 05 HJ VA	1/2"-20 UNF	1/2"-20 UNF	13	16	10.52 x 1.83
W90 O 06 HJ 04 VA	9/16"-18 UNF	7/16"-20 UNF	14	17	11.90 x 1.98
W90 O 06 HJ VA	9/16"-18 UNF	9/16"-18 UNF	14	17	11.90 x 1.98
W90 O 06 HJ 08 VA	9/16"-18 UNF	3/4"-16 UNF	19	17	11.90 x 1.98
W90 O 08 HJ VA	3/4"-16 UNF	3/4"-16 UNF	19	22	16.36 x 2.20
W90 O 08 HJ 06 VA	3/4"-16 UNF	9/16"-18 UNF	19	22	16.36 x 2.20
W90 O 10 HJ VA	7/8"-14 UNF	7/8"-14 UNF	22	27	19.18 x 2.46
W90 O 12 HJ VA	1.1/16" -12 UN	1.1/16" -12 UN	32	27	23.47 x 2.95
W90 O 16 HJ VA	1.5/16" -12 UN	1.5/16" -12 UN	33	38	29.74 x 2.95

SW, S1, S2 = With across flats

## Product versions

W90 O HJ Screw-in socket, AGJ, angle 90°, Steel