

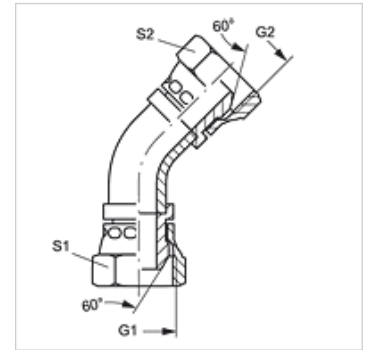
WB45 AB

Connector, angle 45°

HANSA FLEX

Properties

Connection 1	BSP nut thread
Sealing form 1	60° outer cone
Connection 2	BSP nut thread
Sealing form 2	60° outer cone
Design	Connectors
Construction	Angle 45°
Construction type	Pipe elbow
Material	Steel
Surface	electro galvanised



Item

Identification	G1 + G2	S1	S2
WB45 AB 04	G 1/4" -19	19	19
WB45 AB 06	G 3/8" -19	22	22
WB45 AB 08	G 1/2" -14	27	27
WB45 AB 10	G 5/8" -14	30	30
WB45 AB 12	G 3/4" -14	32	32
WB45 AB 16	G 1" -11	41	41
WB45 AB 20	G 1.1/4" -11	50	50
WB45 AB 24	G 1.1/2" -11	55	55
WB45 AB 32	G 2" -11	70	70

SW, S1, S2 = With across flats