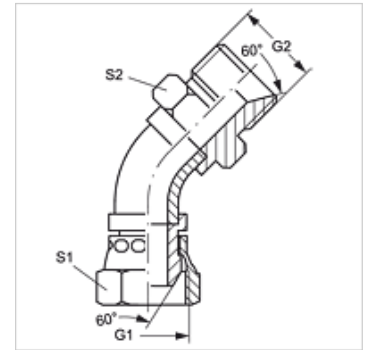


WB45 AB HB

Connector, angle 45°

Properties

Connection 1	BSP nut thread
Sealing form 1	60° outer cone
Connection 2	BSP cylindrical external threads
Sealing form 2	60° inner cone
Design	Connectors
Construction	Angle 45°
Construction type	Pipe elbow
Material	Steel
Surface	electro galvanised



Item

Identification	G1	G2	S1	S2
WB45 AB 04 HB	G 1/4" -19	G 1/4" -19	19	19
WB45 AB 06 HB	G 3/8" -19	G 3/8" -19	22	22
WB45 AB 08 HB	G 1/2" -14	G 1/2" -14	27	27
WB45 AB 10 HB	G 5/8" -14	G 5/8" -14	30	30
WB45 AB 12 HB	G 3/4" -14	G 3/4" -14	32	32
WB45 AB 16 HB	G 1" -11	G 1" -11	38	41
WB45 AB 20 HB	G 1.1/4" -11	G 1.1/4" -11	50	50
WB45 AB 24 HB	G 1.1/2" -11	G 1.1/2" -11	55	55
WB45 AB 32 HB	G 2" -11	G 2" -11	70	65

SW, S1, S2 = With across flats