

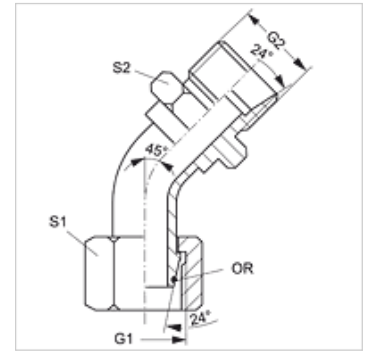
# WB45 AOL HL

Connection socket, angle 45°

**HANSA FLEX**

## Properties

<b>Connection 1</b>	metric nut thread
<b>Sealing form 1</b>	24° outer cone with O-ring
<b>Connection 2</b>	metric cylindrical outer thread
<b>Sealing form 2</b>	24° inner cone
<b>Design</b>	Connecting socket (short pipe bend)
<b>Construction</b>	Angle 45°
<b>Material</b>	Steel
<b>Surface</b>	electro galvanised



## Note

Information about fitting, installation, pressure loads and permissible operating temperatures can be found in the technical information for pipe fittings.

## Item

Identification	Series	External pipe Ø (mm)	Calculation pressure (bar)	G1 + G2	S1	S2	OR
WB45 AOL 04 HL	L	6	315	M 12 x 1.5	14	12	4.0 x 1.5
WB45 AOL 06 HL	L	8	315	M 14 x 1.5	17	14	6.0 x 1.5
WB45 AOL 08 HL	L	10	315	M 16 x 1.5	19	17	7.5 x 1.5
WB45 AOL 10 HL	L	12	315	M 18 x 1.5	22	19	9.0 x 1.5
WB45 AOL 13 HL	L	15	315	M 22 x 1.5	27	22	12.0 x 2.0
WB45 AOL 16 HL	L	18	315	M 26 x 1.5	32	27	15.0 x 2.0
WB45 AOL 20 HL	L	22	160	M 30 x 2	36	30	20.0 x 2.0
WB45 AOL 25 HL	L	28	160	M 36 x 2	41	36	26.0 x 2.0
WB45 AOL 32 HL	L	35	160	M 45 x 2	50	46	32.0 x 2.5
WB45 AOL 40 HL	L	42	160	M 52 x 2	60	55	38.0 x 2.5

Series: LL = Very light L = Light S = Heavy – SW, S1, S2 = With across flats