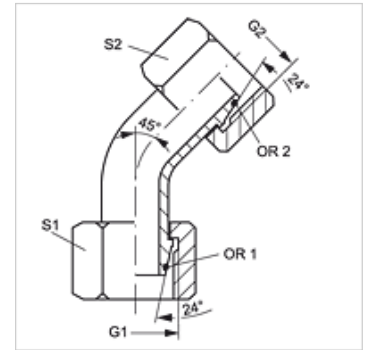


# WB45 AOL

Connection socket, angle 45°

## Properties

<b>Connection 1</b>	metric nut thread
<b>Sealing form 1</b>	24° outer cone with O-ring
<b>Connection 2</b>	metric nut thread
<b>Sealing form 2</b>	24° outer cone with O-ring
<b>Design</b>	Connecting socket (short pipe bend)
<b>Construction</b>	Angle 45°
<b>Material</b>	Steel
<b>Surface</b>	electro galvanised



## Note

Information about fitting, installation, pressure loads and permissible operating temperatures can be found in the technical information for pipe fittings.

## Item

Identification	Series	External pipe Ø (mm)	Calculation pressure (bar)	G1 + G2	S1	S2	OR1 + OR2
WB45 NW 04 AOL	L	6	315	M 12 x 1.5	14	14	4.0 x 1.5
WB45 NW 06 AOL	L	8	315	M 14 x 1.5	17	17	6.0 x 1.5
WB45 NW 08 AOL	L	10	315	M 16 x 1.5	19	19	7.5 x 1.5
WB45 NW 10 AOL	L	12	315	M 18 x 1.5	22	22	9.0 x 1.5
WB45 NW 13 AOL	L	15	315	M 22 x 1.5	27	27	12.0 x 2.0
WB45 NW 16 AOL	L	18	315	M 26 x 1.5	32	32	15.0 x 2.0
WB45 NW 20 AOL	L	22	160	M 30 x 2	36	36	20.0 x 2.0
WB45 NW 25 AOL	L	28	160	M 36 x 2	41	41	26.0 x 2.0
WB45 NW 32 AOL	L	35	160	M 45 x 2	50	50	32.0 x 2.5
WB45 NW 40 AOL	L	42	160	M 52 x 2	60	60	38.0 x 2.5

Series: LL = Very light L = Light S = Heavy – SW, S1, S2 = With across flats