

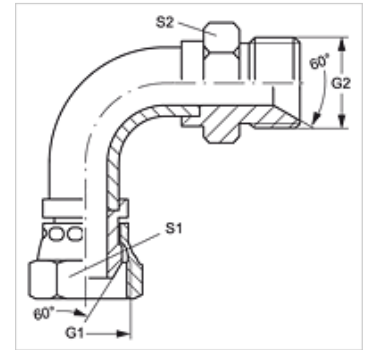
# WB90 AB HB

Connection socket, angle 90°

**HANSA FLEX**

## Properties

<b>Connection 1</b>	BSP nut thread
<b>Sealing form 1</b>	60° outer cone
<b>Connection 2</b>	BSP cylindrical external threads
<b>Sealing form 2</b>	60° inner cone
<b>Design</b>	Connecting socket (short pipe bend)
<b>Construction</b>	Angle 90°
<b>Material</b>	Steel
<b>Surface</b>	electro galvanised



## Item

Identification	G1 + G2	S1	S2
<b>WB90 AB 02 HB</b>	G 1/8" -28	14	14
<b>WB90 AB 04 HB</b>	G 1/4" -19	19	19
<b>WB90 AB 06 HB</b>	G 3/8" -19	22	22
<b>WB90 AB 08 HB</b>	G 1/2" -14	27	27
<b>WB90 AB 10 HB</b>	G 5/8" -14	30	30
<b>WB90 AB 12 HB</b>	G 3/4" -14	32	32
<b>WB90 AB 16 HB</b>	G 1" -11	38	41
<b>WB90 AB 20 HB</b>	G 1.1/4" -11	50	50
<b>WB90 AB 24 HB</b>	G 1.1/2" -11	55	55
<b>WB90 AB 32 HB</b>	G 2" -11	70	65

SW, S1, S2 = With across flats