

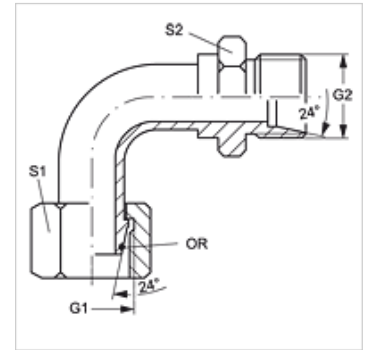
WB90 AOL HL

Connection socket, angle 90°

HANSA FLEX

Properties

Connection 1	metric nut thread
Sealing form 1	24° outer cone with O-ring
Connection 2	metric cylindrical outer thread
Sealing form 2	24° inner cone
Design	Connecting socket (short pipe bend)
Construction	Angle 90°
Material	Steel
Surface	electro galvanised



Note

Information about fitting, installation, pressure loads and permissible operating temperatures can be found in the technical information for pipe fittings.

Item

Identification	Series	External pipe Ø (mm)	Calculation pressure (bar)	G1 + G2	S1	S2	OR
WB90 AOL 04 HL	L	6	315	M 12 x 1.5	14	14	4.0 x 1.5
WB90 AOL 06 HL	L	8	315	M 14 x 1.5	17	14	6.0 x 1.5
WB90 AOL 08 HL	L	10	315	M 16 x 1.5	19	17	7.5 x 1.5
WB90 AOL 10 HL	L	12	315	M 18 x 1.5	22	19	9.0 x 1.5
WB90 AOL 13 HL	L	15	315	M 22 x 1.5	27	22	12.0 x 2.0
WB90 AOL 16 HL	L	18	315	M 26 x 1.5	32	27	15.0 x 2.0
WB90 AOL 20 HL	L	22	160	M 30 x 2	36	36	20.0 x 2.0
WB90 AOL 25 HL	L	28	160	M 36 x 2	41	36	26.0 x 2.0
WB90 AOL 32 HL	L	35	160	M 42 x 2	50	46	32.0 x 2.5
WB90 AOL 40 HL	L	42	160	M 52 x 2	60	55	38.0 x 2.5

Series: LL = Very light L = Light S = Heavy – SW, S1, S2 = With across flats