

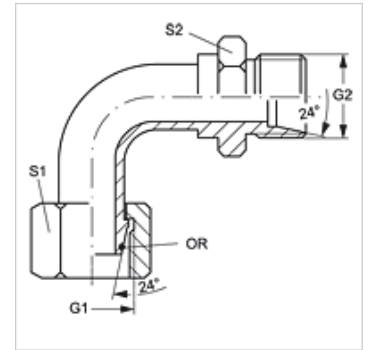
WB90 AOS HS

Connection socket, angle 90°

HANSA FLEX

Properties

Connection 1	metric nut thread
Sealing form 1	24° outer cone with O-ring
Connection 2	metric cylindrical outer thread
Sealing form 2	24° inner cone
Design	Connecting socket (short pipe bend)
Construction	Angle 90°
Material	Steel
Surface	electro galvanised



Note

Information about fitting, installation, pressure loads and permissible operating temperatures can be found in the technical information for pipe fittings.

Item

Identification	Series	External pipe Ø (mm)	Calculation pressure (bar)	G1 + G2	S1	S2	OR
WB90 AOS 03 HS	S	6	600	M 14 x 1.5	17	14	4.0 x 1.5
WB90 AOS 04 HS	S	8	600	M 16 x 1.5	19	17	6.0 x 1.5
WB90 AOS 06 HS	S	10	600	M 18 x 1.5	22	19	7.5 x 1.5
WB90 AOS 08 HS	S	12	600	M 20 x 1.5	24	22	9.0 x 1.5
WB90 AOS 10 HS	S	14	600	M 22 x 1.5	27	22	10.0 x 2.0
WB90 AOS 13 HS	S	16	400	M 24 x 1.5	30	24	12.0 x 2.0
WB90 AOS 16 HS	S	20	400	M 30 x 2	36	30	16.3 x 2.4
WB90 AOS 20 HS	S	25	400	M 36 x 2	46	36	20.3 x 2.4
WB90 AOS 25 HS	S	30	400	M 42 x 2	50	46	25.3 x 2.4
WB90 AOS 32 HS	S	38	360	M 52 x 2	60	55	33.3 x 2.4

Series: LL = Very light L = Light S = Heavy – SW, S1, S2 = With across flats